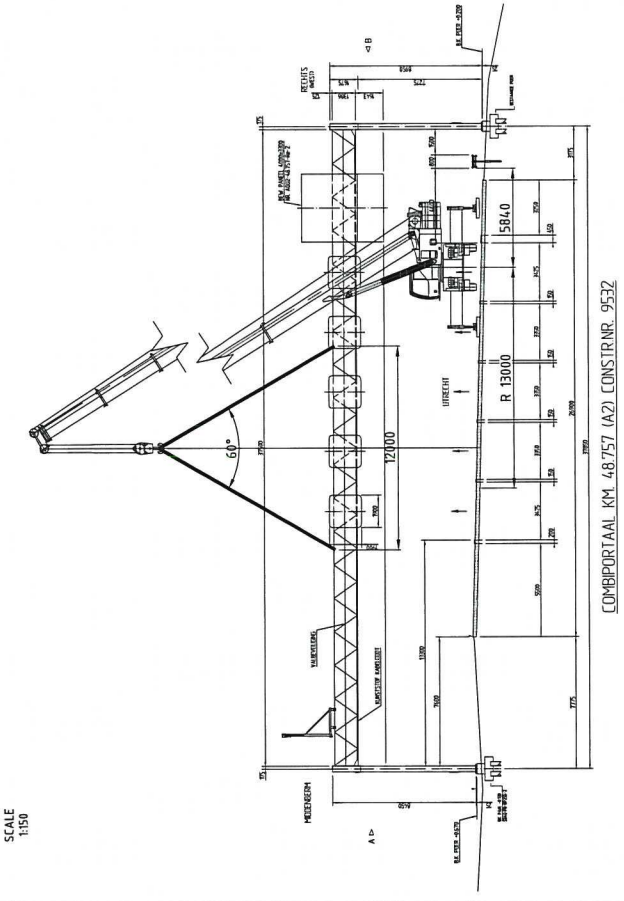
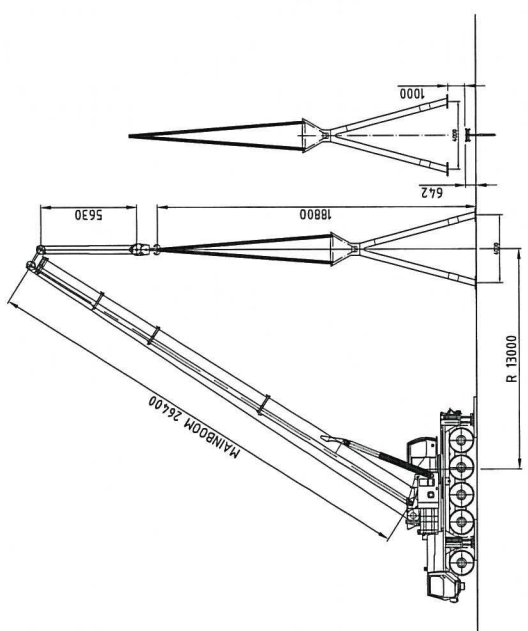


CRANE INFO:	Liabher LTM1100-2
POSITION:	LIFT NR 9532
LIFTING Configuration:	SH
Outfitter setup:	7.2 x 7m
Boom Length:	(Units)
Jib Length:	(m)
Jib Offset:	(m)
Central counter weight:	(°)
Counter weight:	(To) 35.0
Radius:	(m) 13.0
Capacity:	(To) 22.9
Max. weight of Load:	(To) 15.0
Hook block weight:	(To) 0.7
Rigging weight:	(To) 0.5
TOTAL lift weight:	(To) 16.2
Percentage of Capacity:	(%) 70.9
max. Outfitter Force:	(To) 44.8
GBP beneath mats:	(To/m²) 16.0

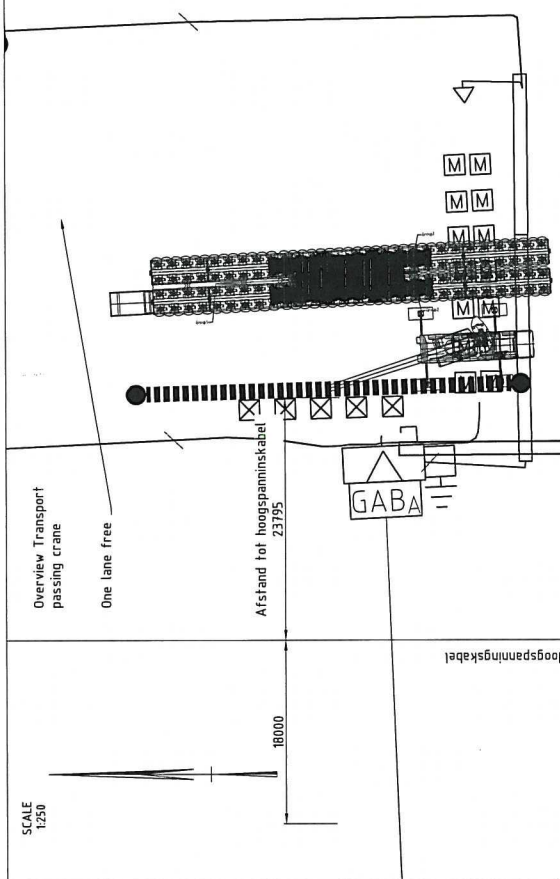
FOR Information



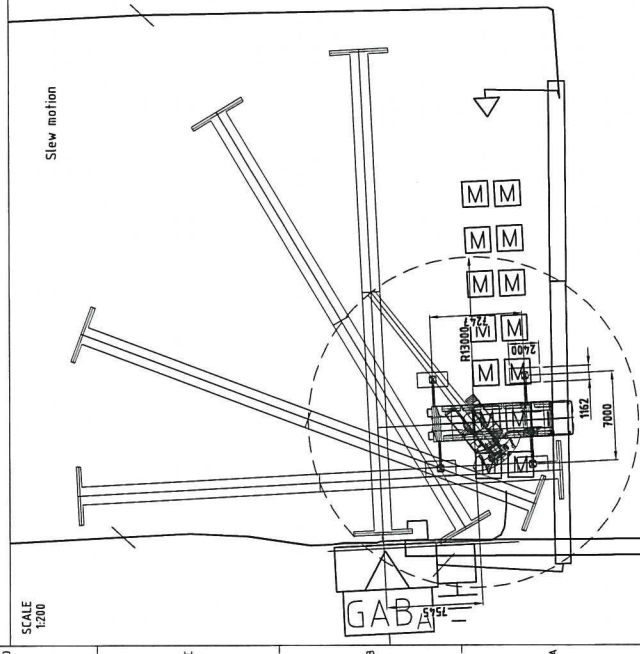
SCALE 1:150



SCALE 1:150



SCALE 1:250



SCALE 1:200

REF.	DRAWING NUMBER	REVISION
1	A2HM-95-VM-F-134	B
2	02-00-0469w	1

GENERAL NOTES:

1. THIS DRAWING IS PREPARED BASED ON INFORMATION, INDICATED IN REFERENCE TABLE, RECEIVED FROM CLIENT.
2. STRUCTURAL STRENGTH OF LOAD CHECKED / TO BE CONFIRMED BY CLIENT.
3. EQUIPMENT SUBJECT TO AVAILABILITY.
4. RIGGING SUBJECT TO DETAILED ENGINEERING.
5. COG ASSUMED.

TENNET
TENNET BREUKELLEN
Lifting portal 9532
Portaal 34

00 For information	1/1/2012	RM	Prac
REV DESCRIPTION:	DATE:	DRAWN:	CHECKED:

Without authorized signature this document is uncontrolled, not binding and for indicative purposes only.

CLIENT: TENNET

PROJECT: TENNET BREUKELLEN

TITLE: Lifting portal 9532 Portaal 34

MAMMOET

THIS DOCUMENT REMAINS THE PROPERTY OF MAMMOET AND SHALL BE TREATED AS CONFIDENTIAL, UNLESS CONTRACTUALLY SPECIFIED OTHERWISE. IT IS TO BE KEPT STORED IN A RETRIEVAL SYSTEM OR TRANSMITTED ONLY TO AUTHORIZED PERSONNEL PRIOR WRITTEN PERMISSION OF THE PUBLISHER. © 2000 MAMMOET [CDSP-02-01-01]

SCALE (NOTED) SIZE: A1

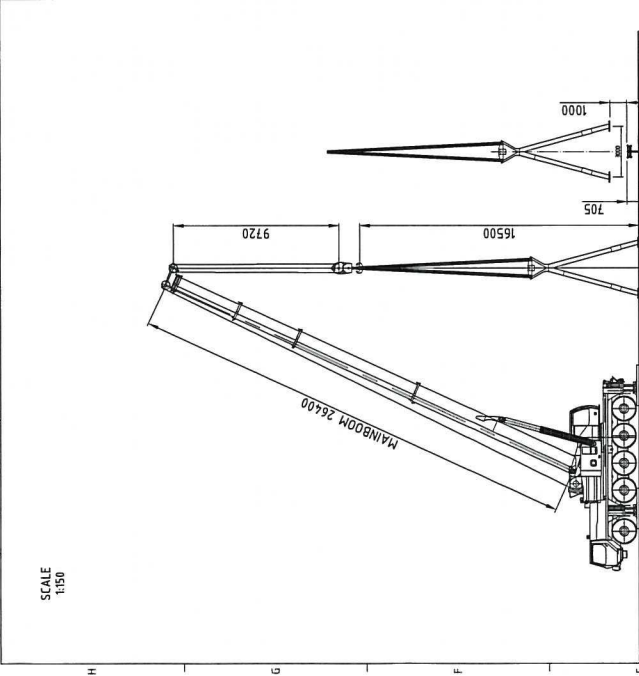
SAP No: 700092889

PROJECT No: 0010028215

DRAWING NUMBER: -D- L04 - 1/1 - 00

CRANE INFO:	Liubier LTM100-2
POSITION:	Lift
Model:	Mf. 9533
Configuration:	SH
Outfitter setup:	7.2 x 7m
(Units)	
Boom Length:	(m) 26.4
Jib Length:	(m)
Jib Offset:	(°)
Central counter weight:	(Tm)
Counter weight:	(Tm) 11.5
Radius:	(m) 10.0
Capacity:	(Tm) 20.3
Max. weight of Load:	(Tm) 15.0
Hook block weight:	(Tm) 0.7
Rigging weight:	(Tm) 0.5
TOTAL Lift weight:	(Tm) 16.2
Percentage of Capacity:	(%) 79.8
max. Outfitter Force:	(Tm) 38.7
GBP beneath masts:	(Tm/m²) 13.9

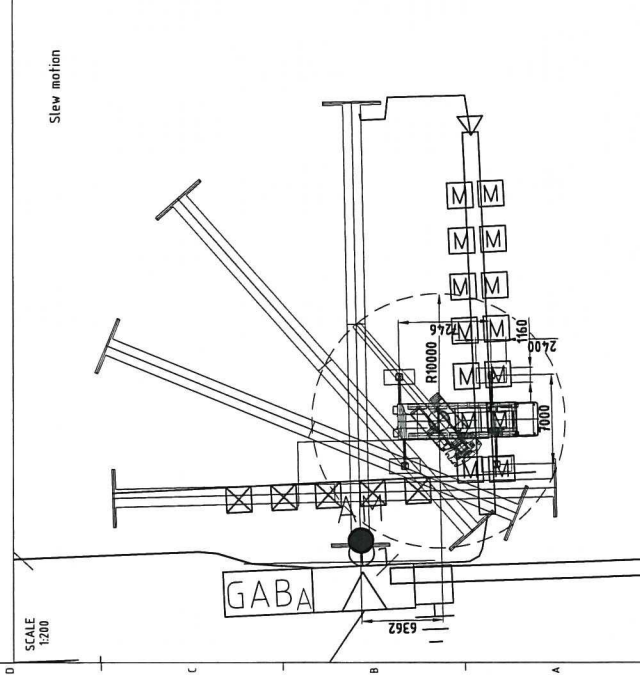
For Information



SCALE 1:150

SCALE 1:150

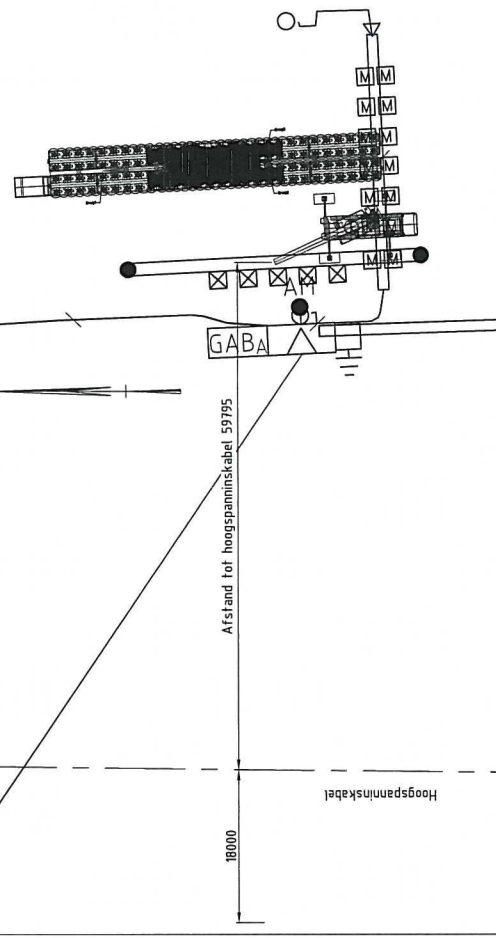
SIGNALERIESPORTAAL KH. 49.372 (A2) CONSTR.NR. 9533



SCALE 1:200

SCALE 1:200

Overview Transport passing crane
One lane free



SCALE 1:200

SCALE 1:200

Overview Transport passing crane
One lane free

SCALE 1:200

SCALE 1:200

REF.	DRAWING NUMBER	REVISION
1	A27M-25-VHM-F7-136	7
2	02-00-0469a	1

GENERAL NOTES:
 THIS DRAWING IS PREPARED BASED ON INFORMATION, INDICATED IN REFERENCE TABLE, RECEIVED FROM CLIENT.
 STRUCTURAL STRENGTH OF LOAD CHECKED / TO BE CONFIRMED BY CLIENT.
 EQUIPMENT SUBJECT TO AVAILABILITY.
 RIGGING SUBJECT TO DETAILED ENGINEERING.
 COG ASSUMED.

00	For Information	11/10/22	PBM	DATE:	DRAWN:	CHECKED:
REV.	DESCRIPTION:					

Without authorized signature this document is uncontrolled, not binding and for indicative purpose only.
TENNET
TENNET BREUKELLEN
 Lifting portal 9533
 Portaal 36

MAMMOET
 The responsibility of the publisher of this document shall be limited to the information contained herein. MAMMOET shall not be held liable for any damage or loss, including consequential damage, arising from the use of the information contained herein. THE INFORMATION IS STORED IN A RETRIEVAL SYSTEM OR TRANSMITTED TO THE CLIENT BY MAMMOET. THE CLIENT SHALL BE RESPONSIBLE FOR THE PROTECTION AND SECURITY OF THE INFORMATION. PRIOR WRITTEN PERMISSION OF THE PUBLISHER, MAMMOET, IS REQUIRED FOR ANY REPRODUCTION OR TRANSMISSION OF THIS DOCUMENT.
 P.O. Box 605, 3200 AB, Zoetermeer, The Netherlands
 www.mammoet.com
 © 2020 MAMMOET [COSP-02-01-01]

PROJECT: TENNET
 TITLE: Lifting portal 9533 Portaal 36

SCALE: A1
 DRAWING NUMBER: 7000092892
 PROJECT NO: 0010028215-
 SAP NO: -D- L05 - 1/1 - 00
 PART: - 1/1 - 00